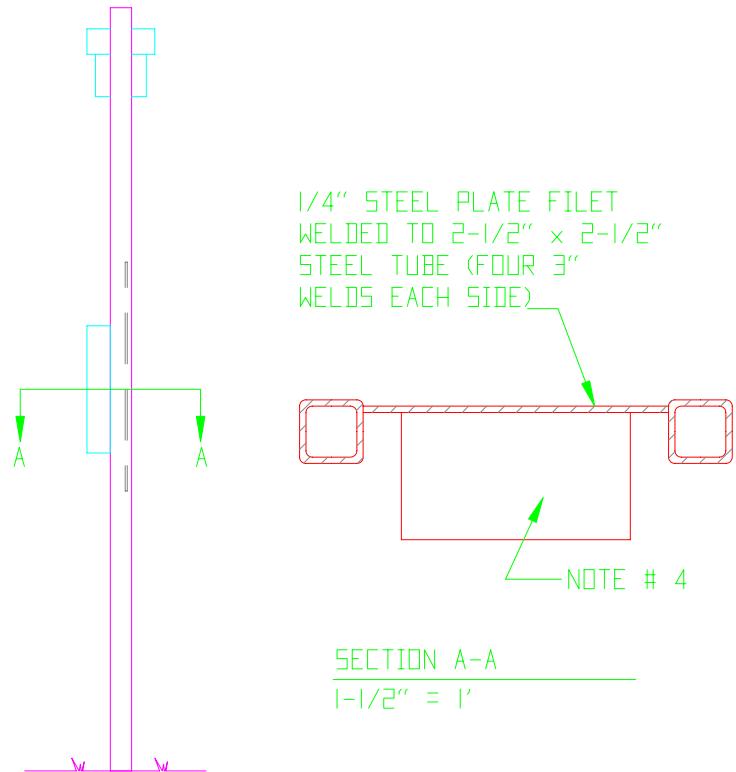


FRONT ELEVATION

1/2" = 1'-0"



SIDE ELEVATION

1/2" = 1'-0"

NOTES

1. MOUNTING BASE BY FRAME FABRICATOR TO ACCOMMODATE SPECIFIED LIGHT FIXTURE.
2. BLUE L.E.D. LIGHT FIXTURE (WATT-MAN SFB120E OR SFB277E). VERIFY AVAILABLE VOLTAGE. 277V PREFERRED UNLESS NOT AVAILABLE.
3. 2" HIGH WHITE VINYL LETTERING.
4. HANDS FREE (PUSH BUTTON) TELEPHONE (TALK-A-PHONE CO. ETP-SM BOX, ETP-400).
5. FRAME AND LIGHT MOUNTING BASE PRIMED AND TWO-COAT PAINTED TO MATCH SHERWIN WILLIAMS #94341 ROCKWOOD SHUTTER GREEN.

EMERGENCY PHONES