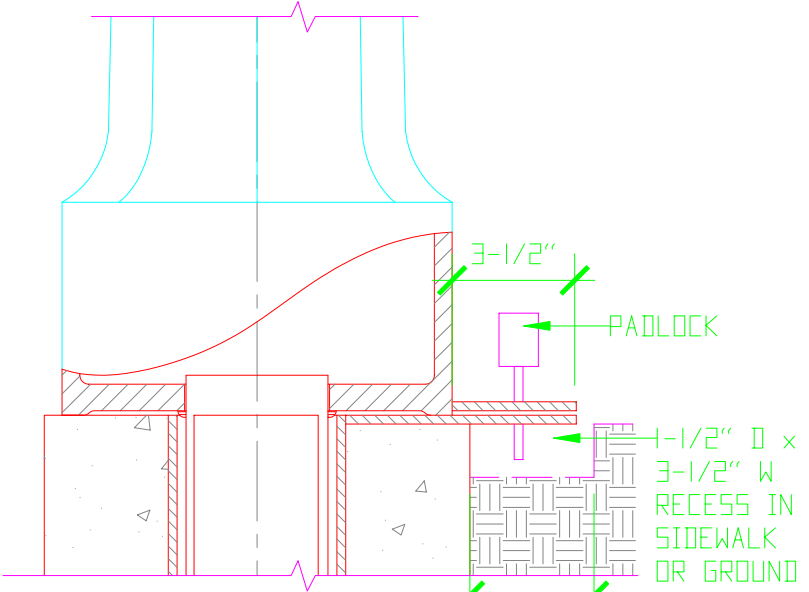


CAST ALUMINUM BOLLARD. SEE NOTES BELOW.



SECTION DETAIL FOR LOCK
2"=1'

NOTES:

1. CAST ALUMINUM REQUIRED FOR REMOVABLE NEWBURYPORT BOLLARD. CONFIRM WITH UNIVERSITY PROJECT MANAER WHETHER BOLLARD IS TO BE LOCKABLE OR NOT LOCKABLE. SEE FACILITIES DESIGN GUIDELINES SW.20.11.1 FOR ADDITIONAL INFORMATION.
2. CAST IRON TO BE USED FOR DIRECT BURIED NEWBURYPORT BOLLARD.
3. FINISH TO MATCH SHERWIN WILLIAMS #94341 ROCKWOOD SHUTTER GREEN OVER PRIMER.

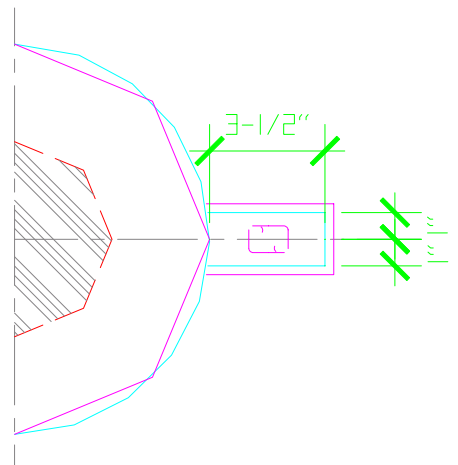
11" DIAMETER SEE DETAIL FOR LOCK

3/16" CONTINUOUS WELD

4'-1/2" STAND. STEEL PIPE FINISHED WITH ZRC COLD GALVANIZED COMPOUND SLEEVE BURIED IN CONCRETE FOOTING (5" O.D. x 4.506" I.D. x 28 1/2" LONG)

3'-1/2" STAND. SCH. 40 ALUMINUM PIPE TENON WELDED TO BOTTOM OF BOLLARD (4" O.D. x 29" LONG)

12" DIA. CONCRETE FOOTING



PARTIAL PLAN DETAIL
2"=1'

SECTION/ELEVATION
1-1/2" = 1'

METAL BOLLARD I

6" GRAVEL (# 57 OR EQUIV.)